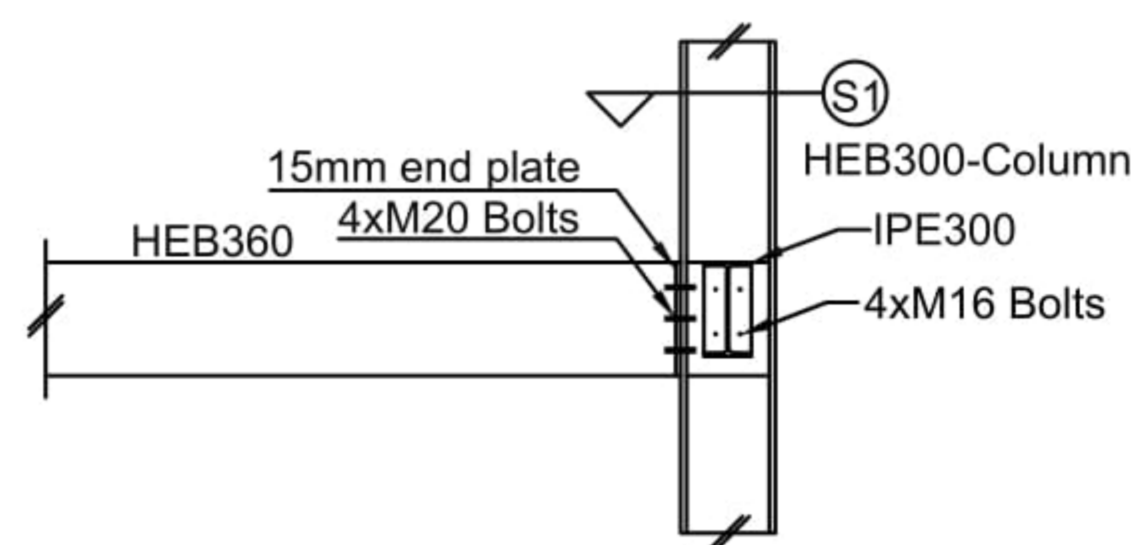
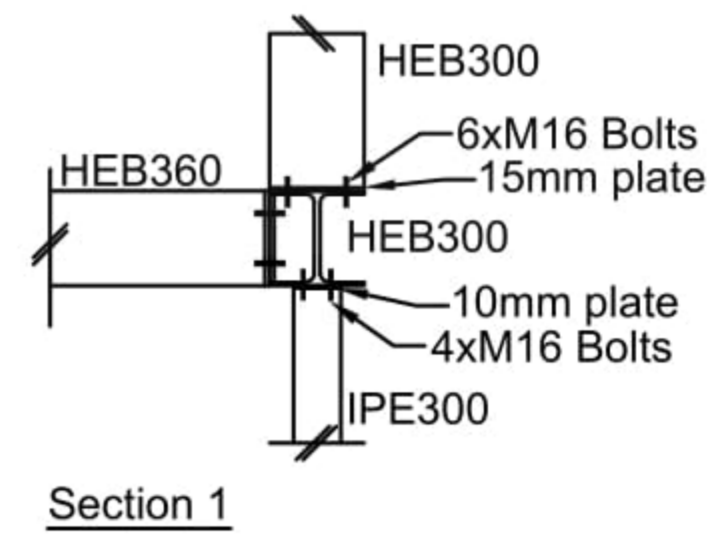


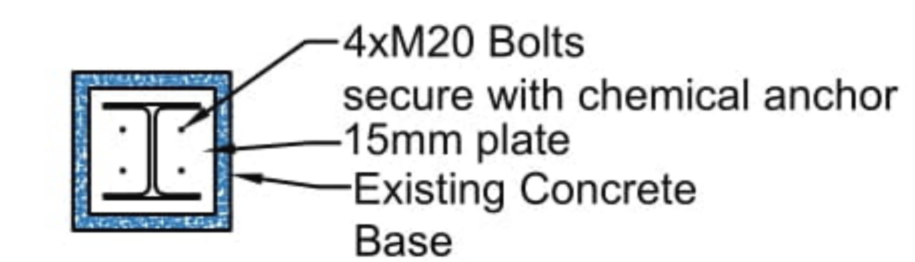
LOWER-GROUND FLOOR  
scale 1:100



DETAIL 1  
scale 1:50



DETAIL 2  
scale 1:50



DETAIL 3  
scale 1:50