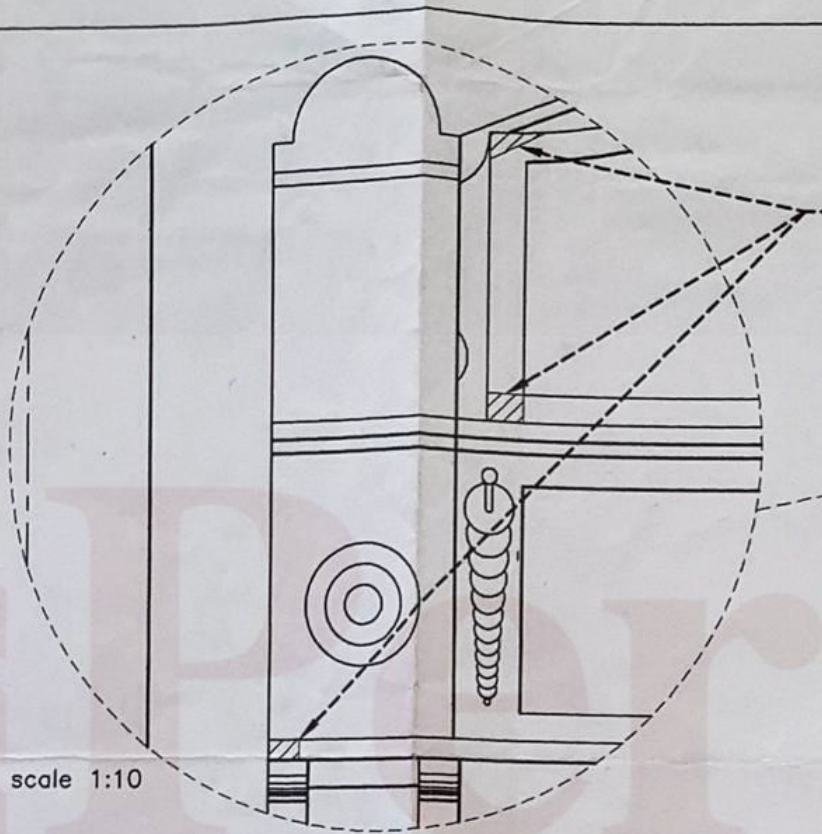


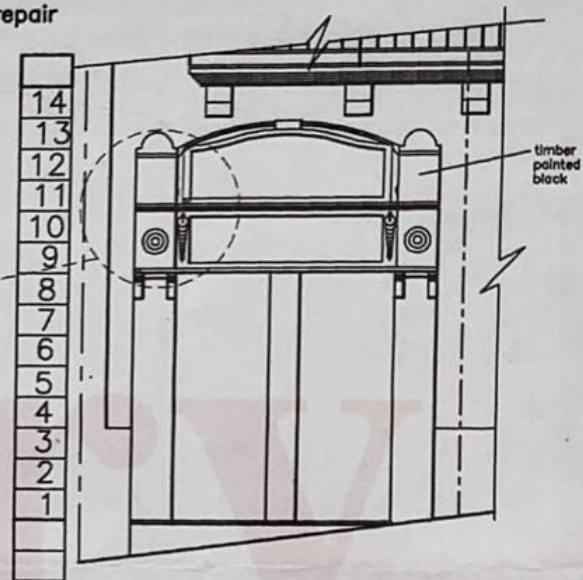
Ground Floor Plan  
as existing  
scale 1:100

scale 1:10



Section X  
as existing  
scale 1:100

to repair



Front Elevation  
as existing  
scale 1:50

